

AC axial fan

sickled blades (S series)
with guard grille for short nozzle

ebm-papst Mulfingen GmbH & Co. KG

Bachmühle 2 · D-74673 Mulfingen

Phone +49 7938 81-0

Fax +49 7938 81-110

info1@de.ebmpapst.com

www.ebmpapst.com

Limited partnership · Headquarters Mulfingen
County court Stuttgart · HRA 590344

General partner Elektrobau Mulfingen GmbH · Headquarters Mulfingen
County court Stuttgart · HRB 590142



Nominal data

| Type | S4D450-AO14-02 | | | | | | |
|-------------------------------|-------------------|------|------|------|------|------|------|
| Motor | M4D094-HA | | | | | | |
| Phase | | 3~ | 3~ | 3~ | 3~ | 3~ | 3~ |
| Nominal voltage | VAC | 400 | 400 | 400 | 400 | 480 | 480 |
| Connection | | Δ | Y | Δ | Y | Δ | Y |
| Frequency | Hz | 50 | 50 | 60 | 60 | 60 | 60 |
| Type of data definition | | ml | ml | ml | ml | ml | ml |
| Valid for approval / standard | | CE | CE | CE | CE | CE | CE |
| Speed | min ⁻¹ | 1360 | 1110 | 1510 | 1060 | 1600 | 1240 |
| Power input | W | 480 | 340 | 690 | 400 | 760 | 520 |
| Current draw | A | 0.98 | 0.58 | 1.2 | 0.72 | 1.17 | 0.75 |
| Max. back pressure | Pa | 140 | 90 | 145 | 70 | 160 | 95 |
| Min. ambient temperature | °C | -40 | -40 | -40 | -40 | -40 | -40 |
| Max. ambient temperature | °C | 65 | 65 | 50 | 50 | 50 | 50 |
| Starting current | A | 3.9 | 1.3 | 3.5 | 1.2 | | |

ml = Max. load · me = Max. efficiency · fa = Running at free air · cs = Customer specs · cu = Customer unit
Subject to alterations

Data according to ErP directive

| | |
|-----------------------|--------|
| Installation category | A |
| Efficiency category | Static |
| Variable speed drive | No |
| Specific ratio* | 1.00 |

* Specific ratio = $1 + p_{fs} / 100\,000\text{ Pa}$

| | | Actual | Request 2013 | Request 2015 |
|--------------------------------|-------------------|--------|--------------|--------------|
| Overall efficiency η_{es} | % | 35.4 | 27.5 | 31.5 |
| Efficiency grade N | | 43.9 | 36 | 40 |
| Power input P_e | kW | 0.46 | | |
| Air flow q_v | m ³ /h | 4530 | | |
| Pressure increase p_{fs} | Pa | 133 | | |
| Speed n | min ⁻¹ | 1365 | | |

Data definition with optimum efficiency.
The ErP data is determined using a motor-impeller combination in a standardised measurement configuration.



AC axial fan

sickled blades (S series)
with guard grille for short nozzle

Technical features

| | |
|---|--|
| Mass | 10 kg |
| Size | 450 mm |
| Surface of rotor | Coated in black |
| Material of terminal box | ABS plastic, black |
| Material of impeller | PP-GF40 plastic |
| Material of guard grille | Steel, phosphated and coated in black plastic |
| Number of blades | 5 |
| Direction of air flow | "A" |
| Direction of rotation | Clockwise, seen on rotor |
| Type of protection | IP 54 |
| Insulation class | "F" |
| Humidity class | F4-1 |
| Max. permissible ambient motor temp. (transp./ storage) | +80 °C |
| Min. permissible ambient motor temp. (transp./storage) | -40 °C |
| Mounting position | Shaft horizontal or rotor on bottom; rotor on top on request |
| Condensate discharge holes | Rotor-side |
| Operation mode | S1 |
| Motor bearing | Ball bearing |
| Touch current acc. IEC 60990 (measuring network Fig. 4, TN system) | <= 3.5 mA |
| Electrical leads | Via terminal box |
| Motor protection | Thermal overload protector (TOP) brought out |
| Protection class | I (if protective earth is connected by customer) |
| Product conforming to standard | EN 60034-1 (2004); CE |
| Approval | CCC; GOST |



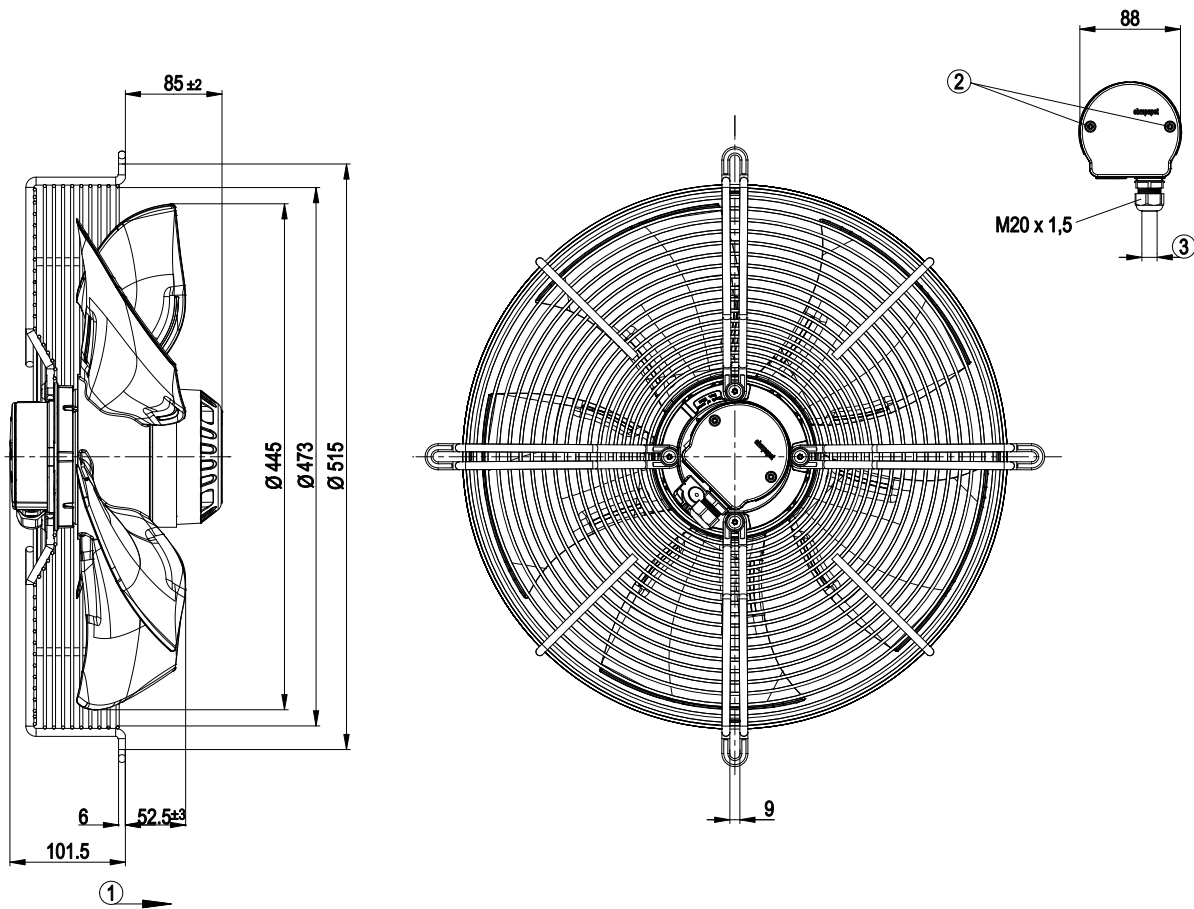
S4D450-AO14-02

AC axial fan

sickled blades (S series)

with guard grille for short nozzle

Product drawing



| | |
|---|--|
| 1 | Direction of air flow "A" |
| 2 | Tightening torque 1.0 ± 0.15 Nm |
| 3 | Cable diameter: min. 6 mm, max. 12 mm; tightening torque: 2.0 ± 0.2 Nm |

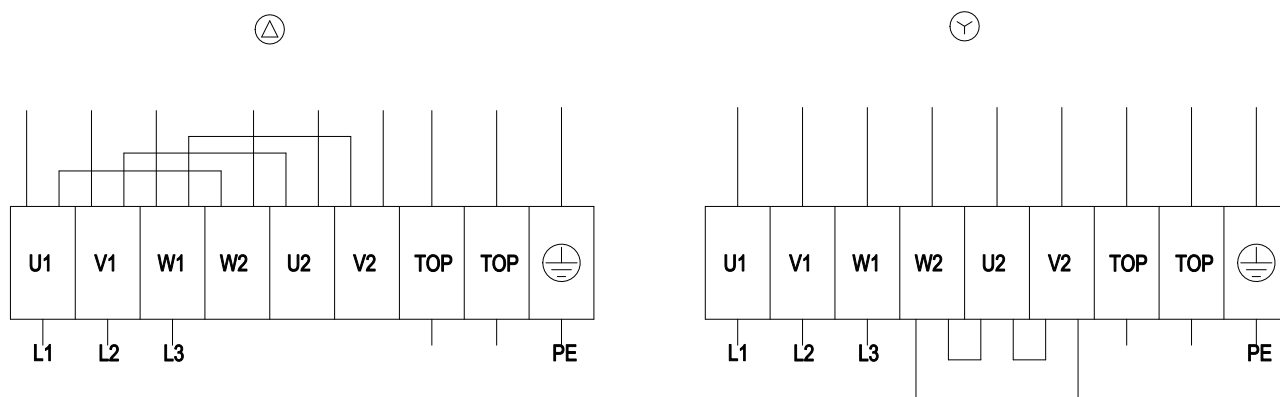


AC axial fan

sickled blades (S series)

with guard grille for short nozzle

Connection screen

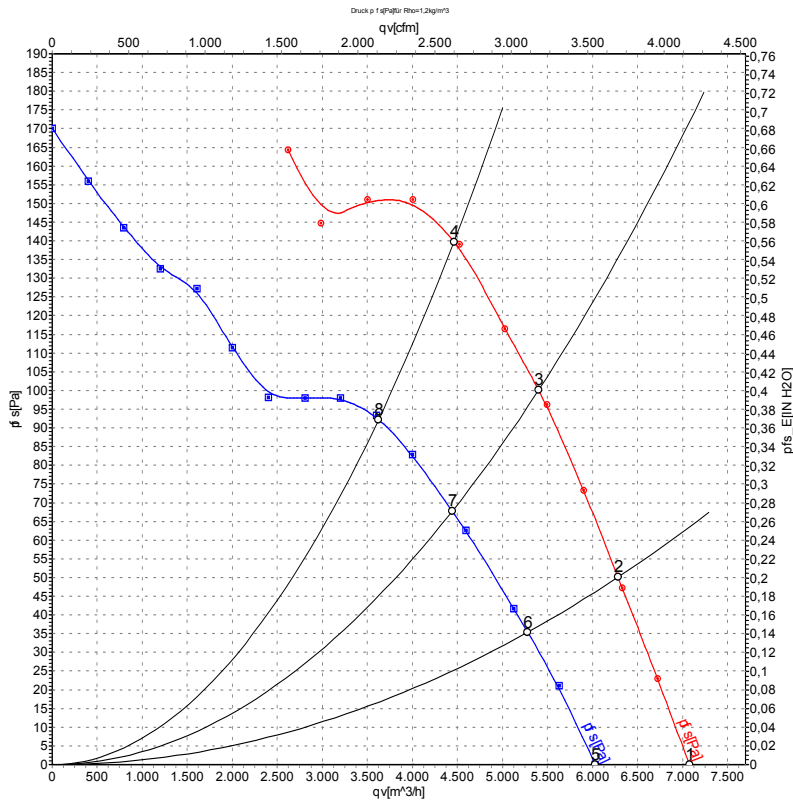


| | | | | | |
|----|------------------|----|-----------------|-----|--------------|
| Δ | Delta-connection | Y | Star connection | L1 | = U1 = black |
| L2 | = V1 = blue | L3 | = W1 = brown | W2 | yellow |
| U2 | green | V2 | white | TOP | 2 x grey |
| PE | green / yellow | | | | |

AC axial fan

sickled blades (S series)
with guard grille for short nozzle

Charts: Air flow 50 Hz



Measurement: LU-107893
Measurement: LU-107309

Air performance measured as per ISO 5801 Installation category A. For detailed information on the measuring set-up, please contact ebm-papst. Suction-side noise levels: LwA measured as per ISO 13347 / LpA measured with 1m distance to fan axis. The values given are valid under the measuring conditions mentioned above and may vary according to the actual installation situation. With any deviation from the standard set-up, the specific values have to be checked and reviewed with the unit installed.

Measured values

| | Conn. | U | f | n | P _e | I | LpA _{in} | LwA _{in} | LwA _{out} | qv | p _{fs} |
|---|-------|-----|----|-------------------|----------------|------|-------------------|-------------------|--------------------|------|-----------------|
| | | V | Hz | min ⁻¹ | W | A | dB(A) | dB(A) | dB(A) | m³/h | Pa |
| 1 | Δ | 400 | 50 | 1400 | 386 | 0.88 | 65 | 71 | | 7080 | 0 |
| 2 | Δ | 400 | 50 | 1385 | 422 | 0.91 | 62 | 68 | | 6285 | 50 |
| 3 | Δ | 400 | 50 | 1370 | 453 | 0.95 | 61 | 68 | | 5400 | 100 |
| 4 | Δ | 400 | 50 | 1360 | 480 | 0.98 | 62 | 68 | | 4460 | 140 |
| 5 | Y | 400 | 50 | 1195 | 285 | 0.49 | 63 | 68 | 69 | 6030 | 0 |
| 6 | Y | 400 | 50 | 1160 | 308 | 0.52 | 59 | 65 | 65 | 5280 | 35 |
| 7 | Y | 400 | 50 | 1130 | 326 | 0.55 | 57 | 64 | 64 | 4445 | 68 |
| 8 | Y | 400 | 50 | 1110 | 340 | 0.58 | 57 | 64 | 64 | 3625 | 93 |

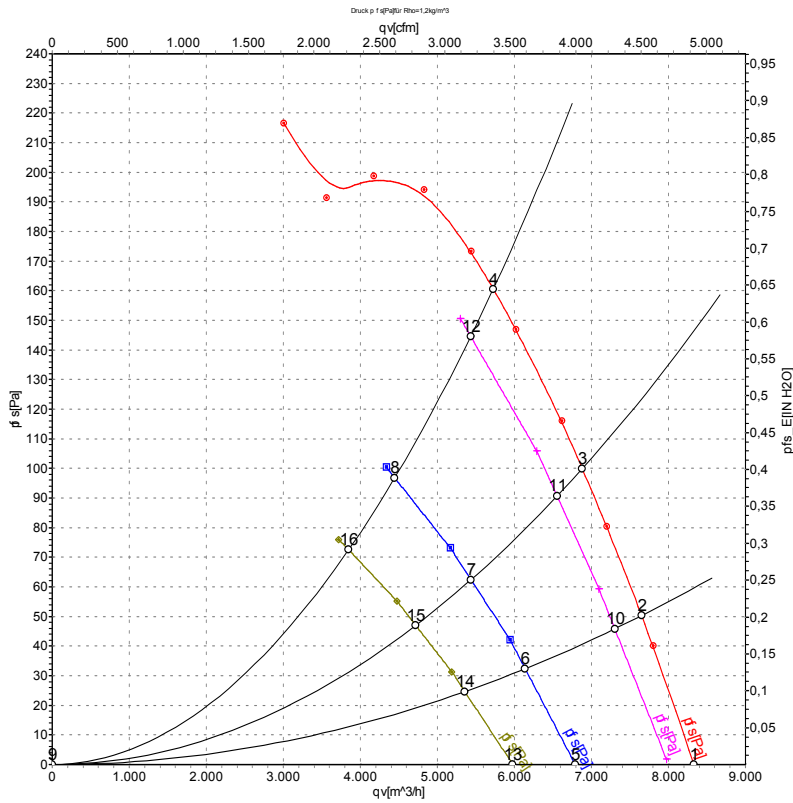
Conn. = Connection · U = Supply voltage · f = Frequency · n = Speed · P_e = Power input · I = Current draw · LpA_{in} = Sound pressure level inlet side · LwA_{in} = Sound power level inlet side
 LwA_{out} = Sound power level outlet side · qv = Air flow · p_{fs} = Pressure increase



AC axial fan

sickled blades (S series)
with guard grille for short nozzle

Charts: Air flow 60 Hz



Measurement: LU-107898
Measurement: LU-108205
Measurement: LU-108207
Measurement: LU-108206

Air performance measured as per ISO 5801 Installation category A. For detailed information on the measuring set-up, please contact ebmpapst. Suction-side noise levels: L_{wA} measured as per ISO 13347 / L_{pA} measured with 1m distance to fan axis. The values given are valid under the measuring conditions mentioned above and may vary according to the actual installation situation. With any deviation from the standard set-up, the specific values have to be checked and reviewed with the unit installed.

Measured values

| | Conn. | U | f | n | P _e | I | LpA _{in} | LwA _{in} | LwA _{out} | qv | p _{fs} |
|----|-------|-----|----|-------------------|----------------|------|-------------------|-------------------|--------------------|------|-----------------|
| | | V | Hz | min ⁻¹ | W | A | dB(A) | dB(A) | dB(A) | m³/h | Pa |
| 1 | Δ | 480 | 60 | 1645 | 628 | 1.03 | 68 | 74 | 76 | 8330 | 0 |
| 2 | Δ | 480 | 60 | 1630 | 674 | 1.08 | 66 | 72 | 74 | 7650 | 50 |
| 3 | Δ | 480 | 60 | 1615 | 715 | 1.12 | 65 | 71 | 73 | 6880 | 100 |
| 4 | Δ | 480 | 60 | 1600 | 760 | 1.17 | 65 | 72 | 72 | 5725 | 160 |
| 5 | Y | 480 | 60 | 1335 | 459 | 0.66 | 64 | 70 | 71 | 6790 | 0 |
| 6 | Y | 480 | 60 | 1300 | 480 | 0.69 | 61 | 67 | 68 | 6140 | 32 |
| 7 | Y | 480 | 60 | 1265 | 498 | 0.72 | 60 | 66 | 67 | 5435 | 62 |
| 8 | Y | 480 | 60 | 1240 | 520 | 0.75 | 59 | 65 | 65 | 4445 | 97 |
| 9 | Δ | 400 | 60 | 1575 | 580 | 1.02 | 67 | 73 | 74 | 0 | 0 |
| 10 | Δ | 400 | 60 | 1550 | 620 | 1.09 | 65 | 71 | 73 | 7305 | 46 |
| 11 | Δ | 400 | 60 | 1530 | 657 | 1.15 | 64 | 70 | 71 | 6555 | 91 |
| 12 | Δ | 400 | 60 | 1510 | 690 | 1.20 | 64 | 70 | 71 | 5435 | 145 |
| 13 | Y | 400 | 60 | 1175 | 375 | 0.65 | 62 | 67 | 68 | 5980 | 0 |
| 14 | Y | 400 | 60 | 1130 | 388 | 0.68 | 59 | 64 | 65 | 5355 | 25 |
| 15 | Y | 400 | 60 | 1095 | 398 | 0.70 | 57 | 63 | 63 | 4720 | 47 |
| 16 | Y | 400 | 60 | 1060 | 400 | 0.72 | 56 | 62 | 62 | 3845 | 72 |

Conn. = Connection · U = Supply voltage · f = Frequency · n = Speed · P_e = Power input · I = Current draw · LpA_{in} = Sound pressure level inlet side · LwA_{in} = Sound power level inlet side
LwA_{out} = Sound power level outlet side · qv = Air flow · p_{fs} = Pressure increase

