

G2E140-NS38-01

AC centrifugal fan

forward curved, single inlet

with housing (flange)



ebm-papst Muldingen GmbH & Co. KG

Bachmühle 2

D-74673 Muldingen

Phone: +49(0)7938/81-0

Fax: +49(0)7938/81-110

info1@de.ebmpapst.com

www.ebmpapst.com

Nominal data

Type	G2E140-NS38-01		
Motor	M2E068-BF		
Phase		1~	1~
Nominal voltage	[V]	230	230
Frequency	[Hz]	50	60
Type of data definition		rfa	ml
Valid for approval / standard		CE	CE
Speed	[min ⁻¹]	1800	1850
Power input	[W]	105	115
Current draw	[A]	0.46	0.51
Motor capacitor	[µF]	2	2
Capacitor voltage	[VDB]	450	450
Capacitor standard		P0 (CE)	P0 (CE)
Min. back pressure	[Pa]	0	50
Max. ambient temperature	[°C]	40	35

ml = max. load · me = max. efficiency · rfa = running at free air · cs = customer specs · cu = customer unit
Subject to alterations

Technical features

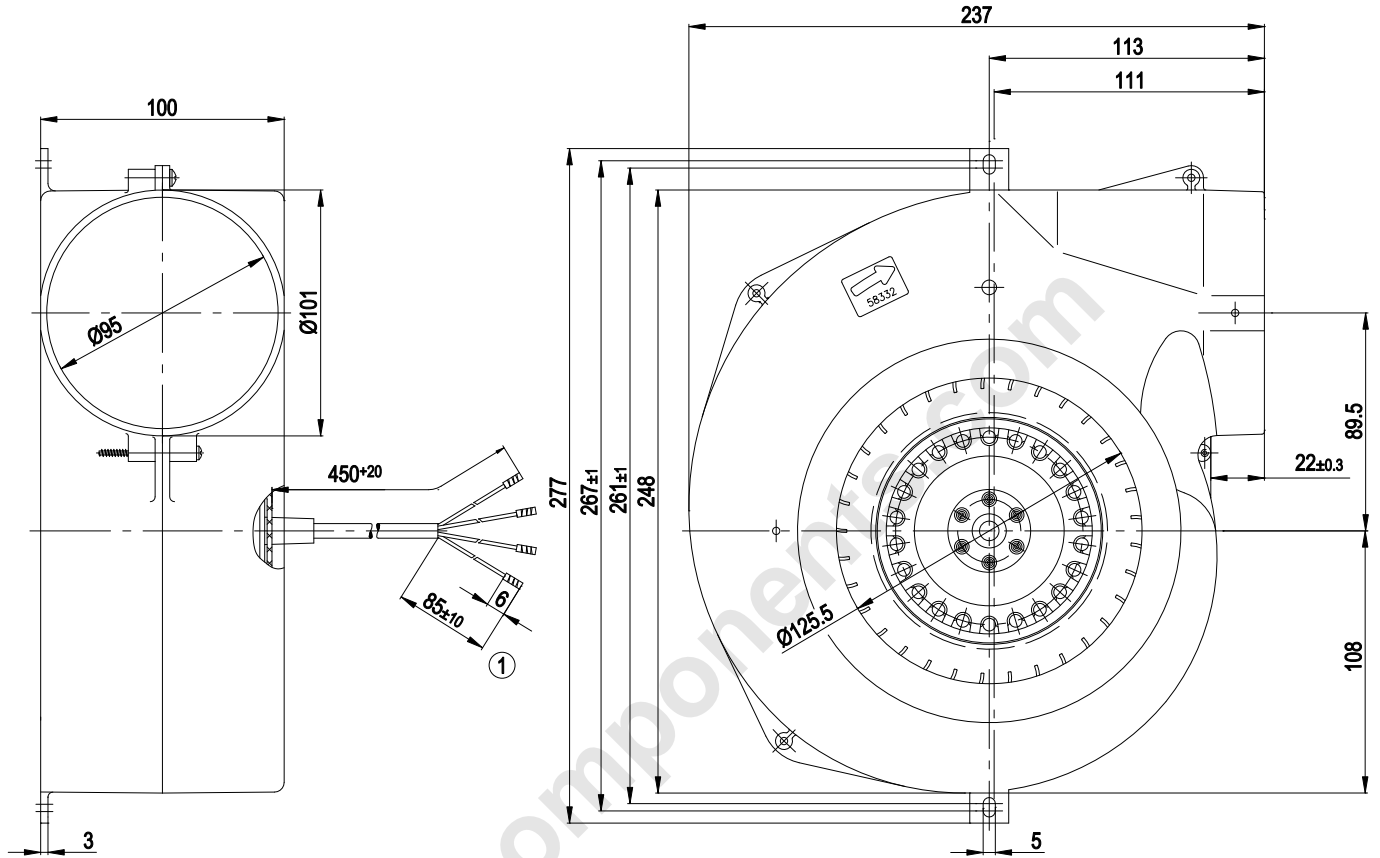
Leakage current	< 0.75 mA
Size	140 mm
Operation mode	S1
Direction of rotation	Clockwise, seen on rotor
Mounting position	Any
Humidity class	F0
Insulation class	"B"
Condensate discharge holes	None
Bearing motor	Ball bearing
Mass	1.6 kg
Housing material	Heat-resistant plastic
Material of impeller	PP-TV40 plastic
Motor protection	Thermal overload protector (TOP) wired internally
Product conforming to standard	CE; EN 60335-1
Surface of rotor	Partially cast in aluminium
Type of protection	IP 44; Depending on installation and position
Protection class	I
Max. permissible ambient motor temp. (transp./ storage)	+ 80 °C
Min. permissible ambient motor temp. (transp./storage)	- 40 °C
Approval	CCC; GOST

AC centrifugal fan

forward curved, single inlet

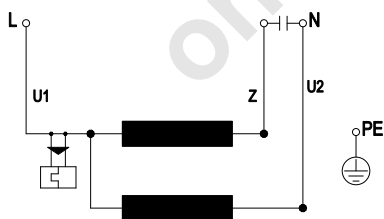
with housing (flange)

Product drawing



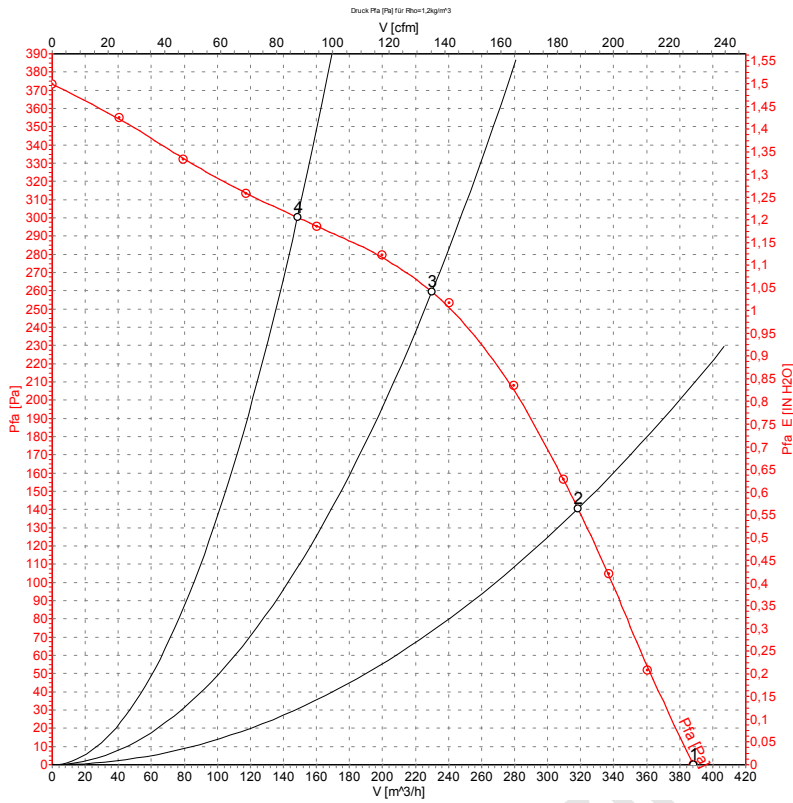
1 Connection line PVC 4 x 0.5 mm²; 4 x brass lead tips crimped

Connection screen



U1	blue	Z	brown	U2	black
PE	green/yellow				

Charts: Air flow 50 Hz

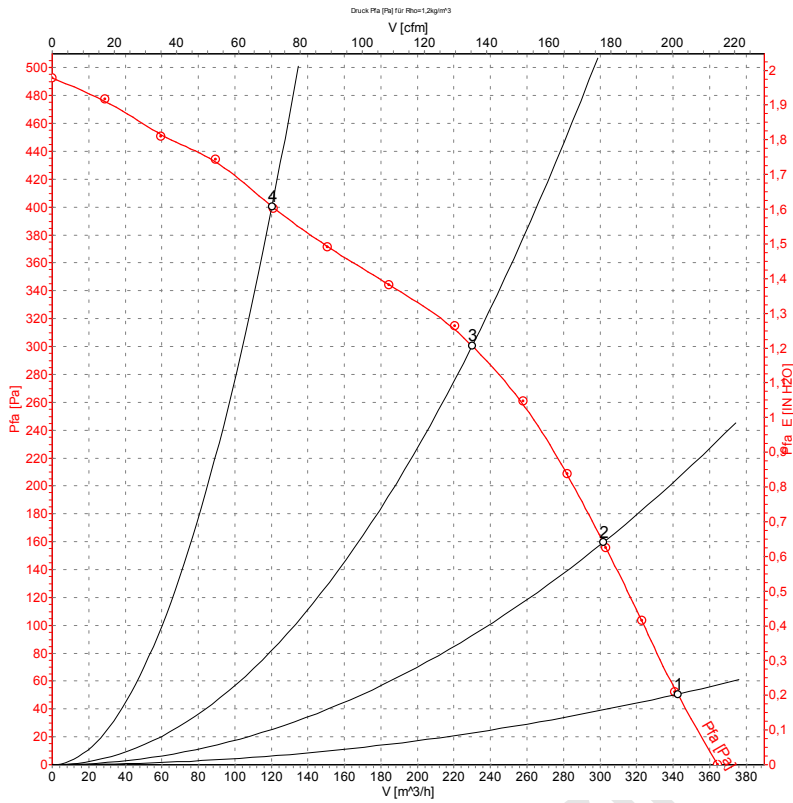


Measurement: LU-104991

Measured values

	U	f	n	P ₁	I	\hat{V}	P _{fa}
	[V]	[Hz]	[min ⁻¹]	[W]	[A]	[m ³ /h]	[Pa]
1	230	50	1800	105	0.46	390	0
2	230	50	2075	91	0.40	320	140
3	230	50	2350	81	0.36	230	260
4	230	50	2515	75	0.34	150	300

Charts: Air flow 60 Hz



Measurement: LU-104994

Measured values

	U	f	n	P ₁	I	Ŷ	P _{fa}
	[V]	[Hz]	[min ⁻¹]	[W]	[A]	[m³/h]	[Pa]
1	230	60	1850	115	0.51	345	50
2	230	60	2095	108	0.47	300	160
3	230	60	2485	101	0.44	230	300
4	230	60	2870	90	0.39	120	400